

BoscoLighting's PRIS High Bay Lights is the perfect choice for commercial and retail applications. The die-cast aluminium housing with frosted acrylic prismatic reflector delivers soft direct and indirect lighting. With a large diffuser, light is evenly spread creating a calm and relaxing environment, perfect for loft-style offices with higher ceilings.

Our LED high bays are up to 75% more efficient than traditional metal-halide high bays, last far longer and do not require replacement bulbs. This means that there are great electrical savings along with reduced maintenance costs for your projects.

Contact us for more information!

Features

- Maintenance free and quality build to protect against vibrations and ensure long lasting life
- Electrician friendly - Easy to install
- LED Driver Included
- Supplied with Flex & Plug



Applications

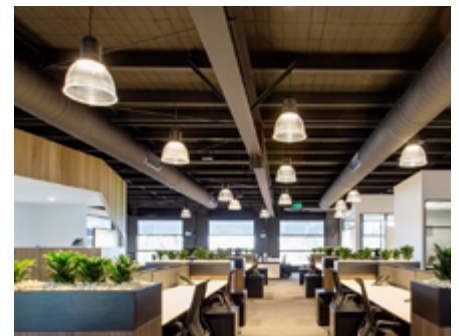
- Loft-style offices
- Sporting locations including gymnasiums, indoor sporting halls and community centres
- Industrial factories, workshops and warehouses
- Supermarkets and exhibition centers

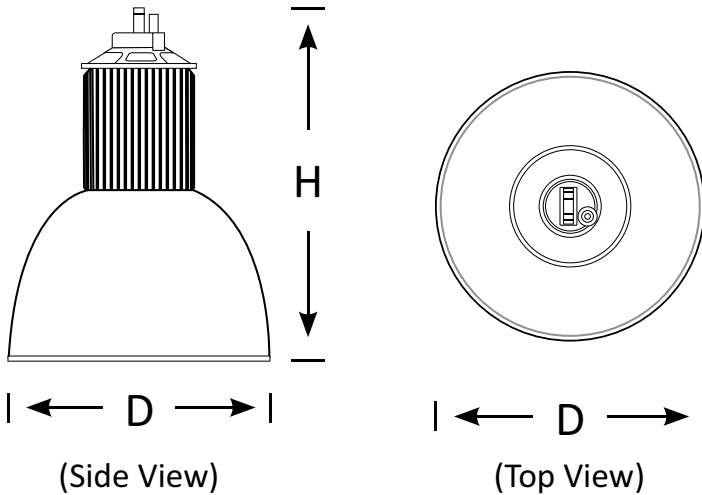
Diffuser options

- Dome diffuser (default)
- Enclosed diffuser



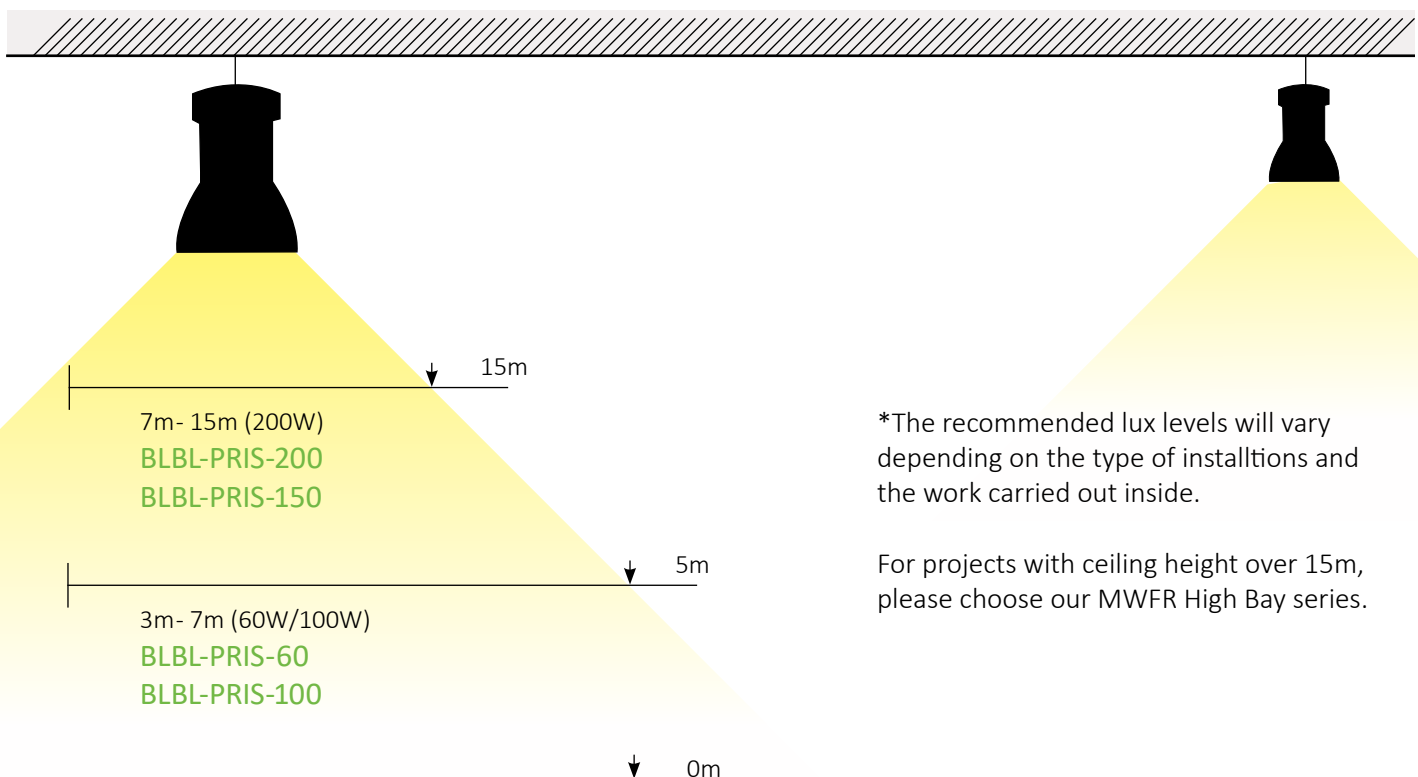
High Bay PRIS





Product Code	BLBL-PRIS-60	BLBL-PRIS-100	BLBL-PRIS-150	BLBL-PRIS-200
Power (W)	60	100	150	200
Luminous FLux(lm)	4850	8500	14250	17000
CCT	Warm White, Neutral White, Cool White (3000K-6500K)			
Connect	AU Standard Flex & Plug			
Dimming Options	Various dimming options available on request			
Dimensions(mm)	D413*H527	D413*H557	D413*H604	D413*H634
Weight(kg)	4	5	6.0	6.6

Recommended Model Selection



*The recommended lux levels will vary depending on the type of installations and the work carried out inside.

For projects with ceiling height over 15m, please choose our MWFR High Bay series.