

BLEX-TL014

BLEX-TL014 is considered a trimless version of our O23-R recessed standard extrusion. Recessed easily into walls or ceilings using a thin layer of plaster, this trimless profile can deliver a smooth illuminated effect with no aluminium frames showing.

Supplied as standard in 1m or 2m lengths. The high quality aluminium extrusion can be cut to length as your require.

Features

- Easy to cut to size or extend as needed
- Good heatsinking for LED longevity
- Recommended installation: Recessed in 5/8" drywall
- Default fitting colour: powder coated white

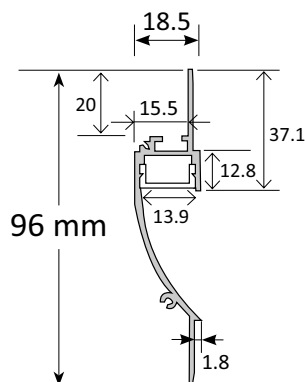
Accessories

- 2 Poly End Caps per standard length
- Diffuser - Frosted
- Optional Joiner on request

Product Specifications

IP Rating	20
Dimensions (mm)	1000*96*18.5
Cut Out (mm)	1000*65*16
Weight (kg)	0.5
Warranty (yrs)	3

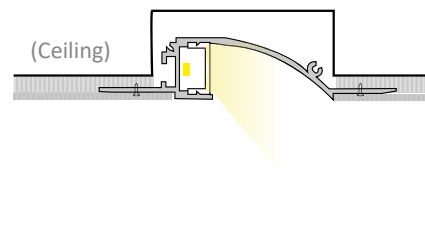
Product Dimensions



Plaster-in Trimless Extrusion TL014



Installation Instruction



It can be fitted with one BoscoLighting SMD5050 or SMD3528 LED strip for interior lighting.

*LEDs and driver not included.

