

With available design options including honeycomb louvre, oval snoot and barn doors, BoscoLighting's 'ME231' Track Lights offer the ultimate in control and flexibility.

Twist and click, the ME231 is designed to be quickly installed in Australian Standard Tracks of 2, 3 or 4 wires (Single or Multiple Circuits). Also Available, Single and Multiple Circuit tracks, joiners and suspension kits.

The DALI version is perfectly suitable for your DALI track systems.

Track Light ME231



(Default)



(Honeycomb Louvre)

The honeycomb louvre helps create a more subtle, softer light, eliminating the stray light that might irritate customer's eyes.



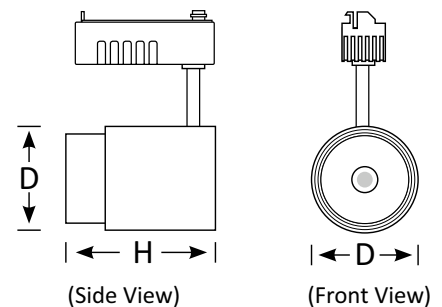
(Barn Door Light Shaper)

Perfect for illuminating artworks in galleries by adjusting the flaps of the barn doors. You can shape the light coverage to the exact rectangular or square dimensions for dramatic highlighting.



(Oval Snoot Extender)

This Oval Snoot Extender helps spread the light more widely on the shallow side of the oval and prevents the light from spilling over on the deeper side of the oval. It is helpful when you only want the light to spill but not in another direction.



Product Code	BLTL-ME231-30	BLTL-ME231-15-DALI
Power (W)	30	12
Luminous FLux(lm)	2550	1275
CCT	Warm White, Neutral White, Cool White (3000K-6500K)	
Connect	To the Track	
Dimming Options	Non-Dim, Trailing Edge	DALI Dimmable
Dimensions(mm)	D90*H130	
Weight(kg)	0.6	0.7

Features

- Aluminium alloy + poly
- Available in White or Black finishes
- Easy installation
- Adjustable Angle: Horizontal 360°/ Vertical 90°
- Available for 2, 3, 4 lines or DALI track systems