

BLEX-003-R

BLEX-003-R is made from high quality aluminium designed for LED strips that are 8 - 10mm wide. It is easy to install, perfect for projects that require an elegant and minimalist lighting solution.

Supplied as standard in 1m or 2m lengths. We also offer cut-to-length option, further saving time and effort.

Contact our lighting specialist for more information! Samples available upon request.

Features

- Easy to cut to size or extend as needed
 - Good heatsinking for LED longevity
 - Fitting colour can be customised*
- *may be subject to minimum order quantities

Accessories

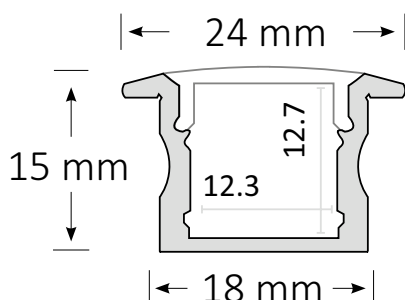


- 2 Poly End Caps per standard length
- Diffuser - Frosted/Semi-clear/Clear

Product Specifications

IP Rating	20
Dimensions (mm)	1000*24*15
Cut Out (mm)	1000*18
Weight (kg)	0.5
Warranty (yrs)	3

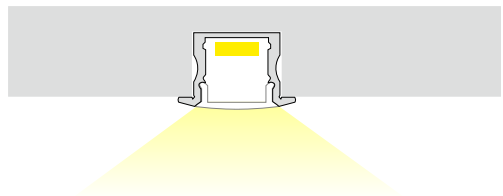
Product Dimensions



Extrusion 003-R



Installation Instruction



Extrusion can be recessed into benches, cabinets, shelves or furniture with the use of double-sided tape or mounting glue.

It can be fitted with one BoscoLighting SMD5050 or SMD3528 LED strip for interior lighting.

*LEDs and driver not included.