

## COIN PACKAGING

# Mini Bullion Pack System

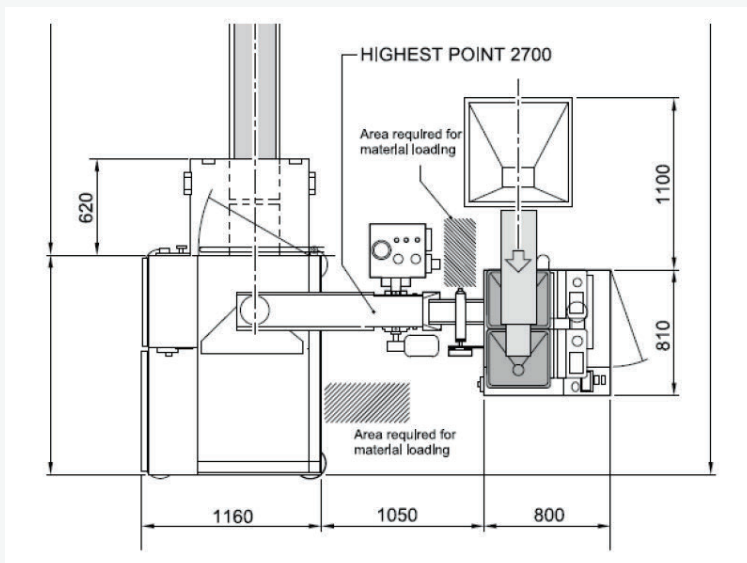
A Mini Bullion Pack System (Mini BPS) consists of a bulk coin feed hopper which, via a coin lift, feeds the two SC3003 coin counters fitted on the SC 9100H2 sachet machine.

The completed sachets are then fed from the SC 9100H2 via a vertical sachet counter or elevator into a SC Bagger 9225P.



## Features

- The system can reach an output of over 1000 sachets per hour.
- The system portrayed consists of a single-point-feeding bulk coin hopper and coin distribution conveyors, 6 x SC3003 Coin counters, 3 x SC9100H2s, 3 x Vertical Sachet Elevators and 1 x overhead conveyor, which in turn count and feed the sachets of coin into a SC Bagger 9250P.
- Electric operation, compressed air required.



To speak to a local representative, please call **1800 500 994** or visit [sprintquip.com.au](http://sprintquip.com.au)

